

BLACK WIDOW REMOTE SURVEILLANCE PLATFORM



The Black Widow is an ultra robust mobile surveillance platform. It meets your surveillance requirements in the most harsh and remote areas on earth. Air-deployable by using vehicle parachute drop systems.



MOBILE SOLUTIONS

**Be Anywhere
See Everywhere**

Desert Wolf



A World Leader in Technology and Innovation

BLACK WIDOW

REMOTE SURVEILLANCE PLATFORM

specifications

Materials

Chassis	3CR12 Epoxy Coated
Electronics Compartment	304 Stainless Steel
Generator Compartment	304 Stainless Steel
Solar Panel Storage	304 Stainless Steel
Diesel Tank	304 Stainless Steel
Bolt, Nuts and Hinges	304 Stainless Steel
Brackets and Frames	304 Stainless Steel

Suspension & Brakes

Axle width	Customer specified
Axle PCD	Customer specified
Axle load capacity	2500kg
Leaf springs	Yes - standard
Shock Absorbers	Yes - standard
Air-Assist Suspension	Yes - standard
Brakes with auto reverse	Yes - standard
Hand Brake	Yes - standard

Power System

Solar panel capacity	5kVA
Generator capacity	200W high voltage
Storage capacity	420Ah
Power output:	
- 12V DC	Yes
- 24V DC	Yes
- 24V AC	Yes
- 110/220V AC	Yes

Diesel Tank Dimensions

Front tank length	780mm
Front tank width	980mm
Front tank height	110mm
Front tank volume	80liter
Front tank X/Y baffles	yes
Rear tank length	880mm
Rear tank width	980mm
Rear tank height	110mm
Rear tank volume	90liter
Rear tank X/Y baffles	yes

Overall Dimensions

Length	3800mm
Width	1800mm
Height excluding equipment	1750mm
Height with mast	2300mm
Height with satellite dish	2100mm
Height with both	2300mm
Ground clearance(with 16")	370mm
Departure angle	33deg
Wading depth	790mm
Empty weight	600kg

Electronics Compartment Dimensions

Length	1230mm
Width	1100 mm
Height (without lid)	448mm
Height (with lid)	560mm

Generator Compartment Dimensions

Length	845mm
Width	1100 mm
Height (without lid)	800mm
Height (with lid)	920mm

System Properties

Stabiliser feet	Yes - 4
Stabiliser Sand plate	Yes - 4
Container rating	Water/Dust proof
Container lockable	Yes
Mast & satellite lockable	Yes
Stepping plates for mast	Yes



Copyright Desert Wolf. All rights reserved. This document is issued for outline information only and may not be used, applied for reproduced for any purpose, or form part of any order or contract or be regarded as a representation relating to the products or services concerned. Desert Wolf has the right to alter without notice the specification, design, price and conditions of supply of any product or service.

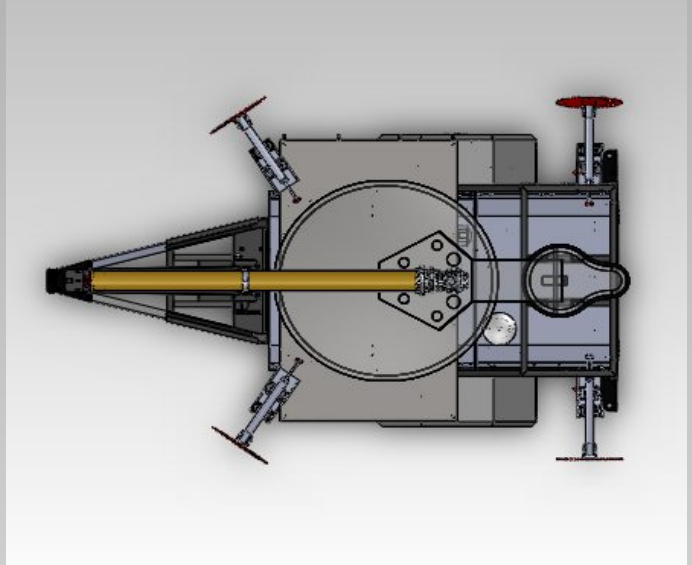
mobile: +27 82 4505 921 . office: +27 12 811 1168 . email: sales@desert-wolf.com

www.desert-wolf.com

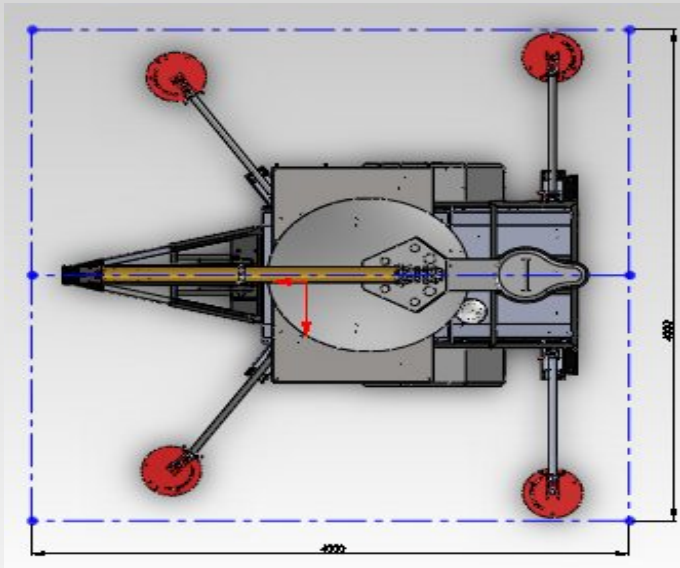
BLACK WIDOW REMOTE SURVEILLANCE PLATFORM specifications



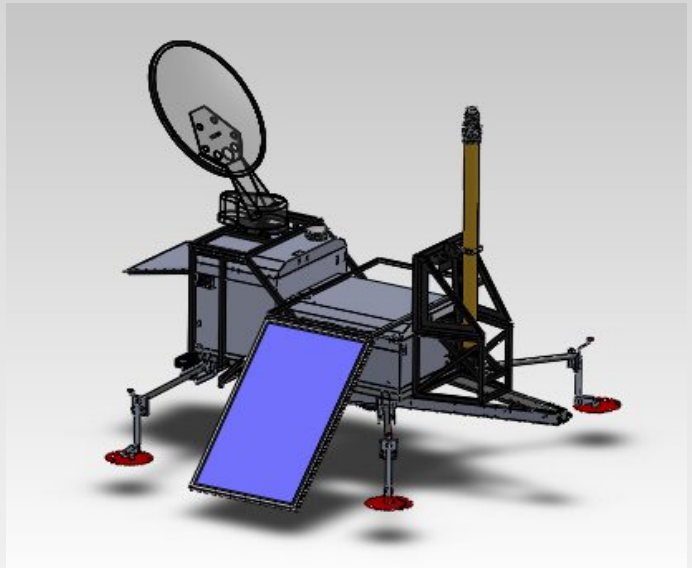
**Black Widow
in transport / storage mode**



**Black Widow
in transport / storage mode
Top View**



**Black Widow
Footprint with stabiliser feet
Top View (4000mm x 4000mm)**



Copyright Desert Wolf. All rights reserved. This document is issued for outline information only and may not be used, applied for reproduction for any purpose, or form part of any order or contract or be regarded as a representation relating to the products or services concerned. Desert Wolf has the right to alter without notice the specification, design, price and conditions of supply of any product or service.

mobile: +27 82 4505 921 . office: +27 12 811 1168 . email: sales@desert-wolf.com

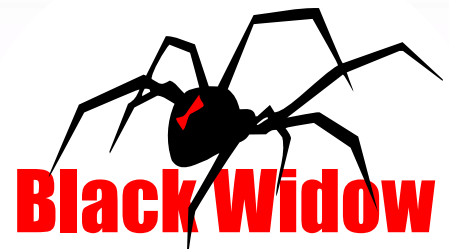
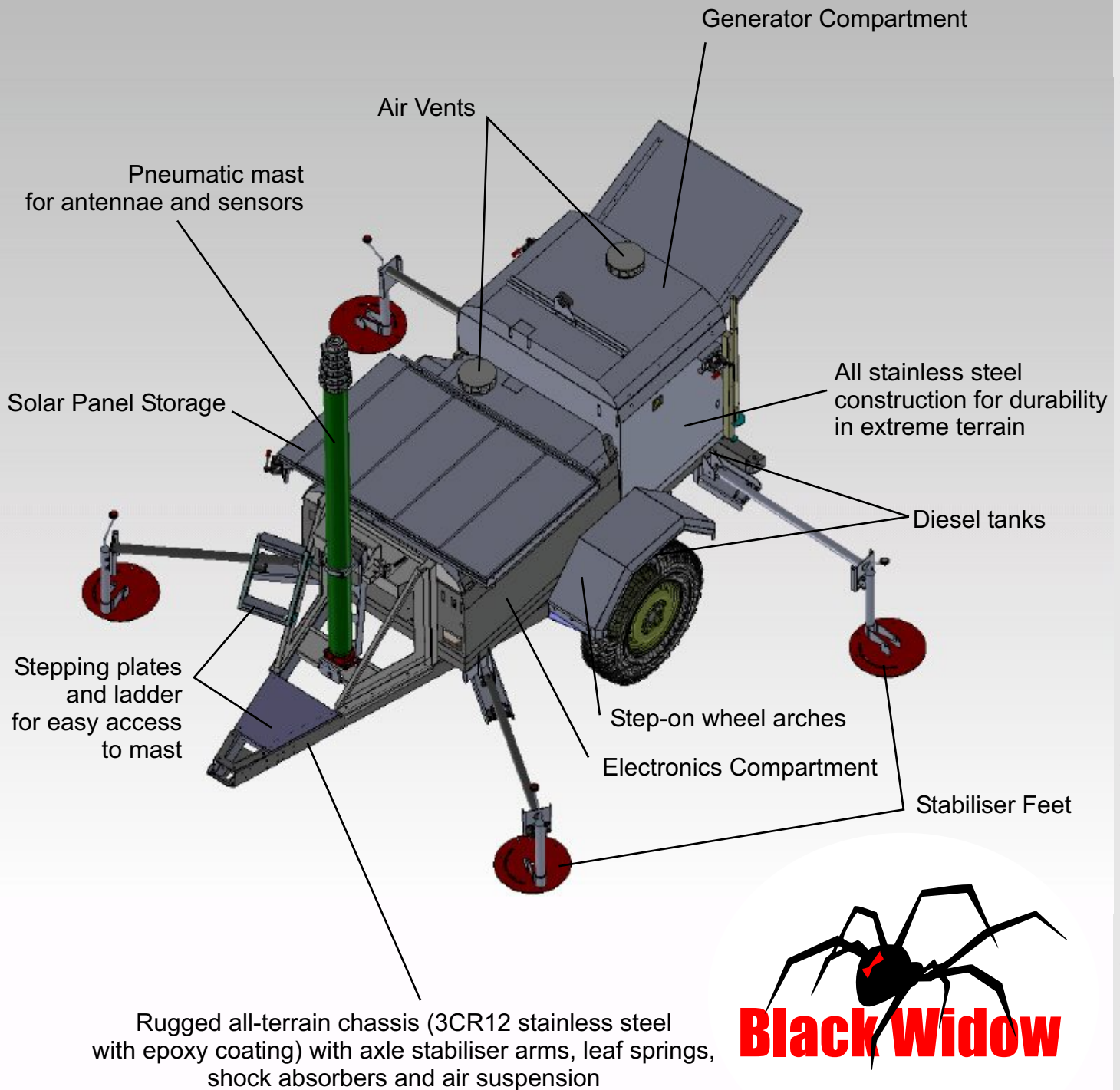
www.desert-wolf.com

BLACK WIDOW

REMOTE SURVEILLANCE PLATFORM

specifications

Black Widow Mobile Surveillance Platform with pneumatic mast and solar panels



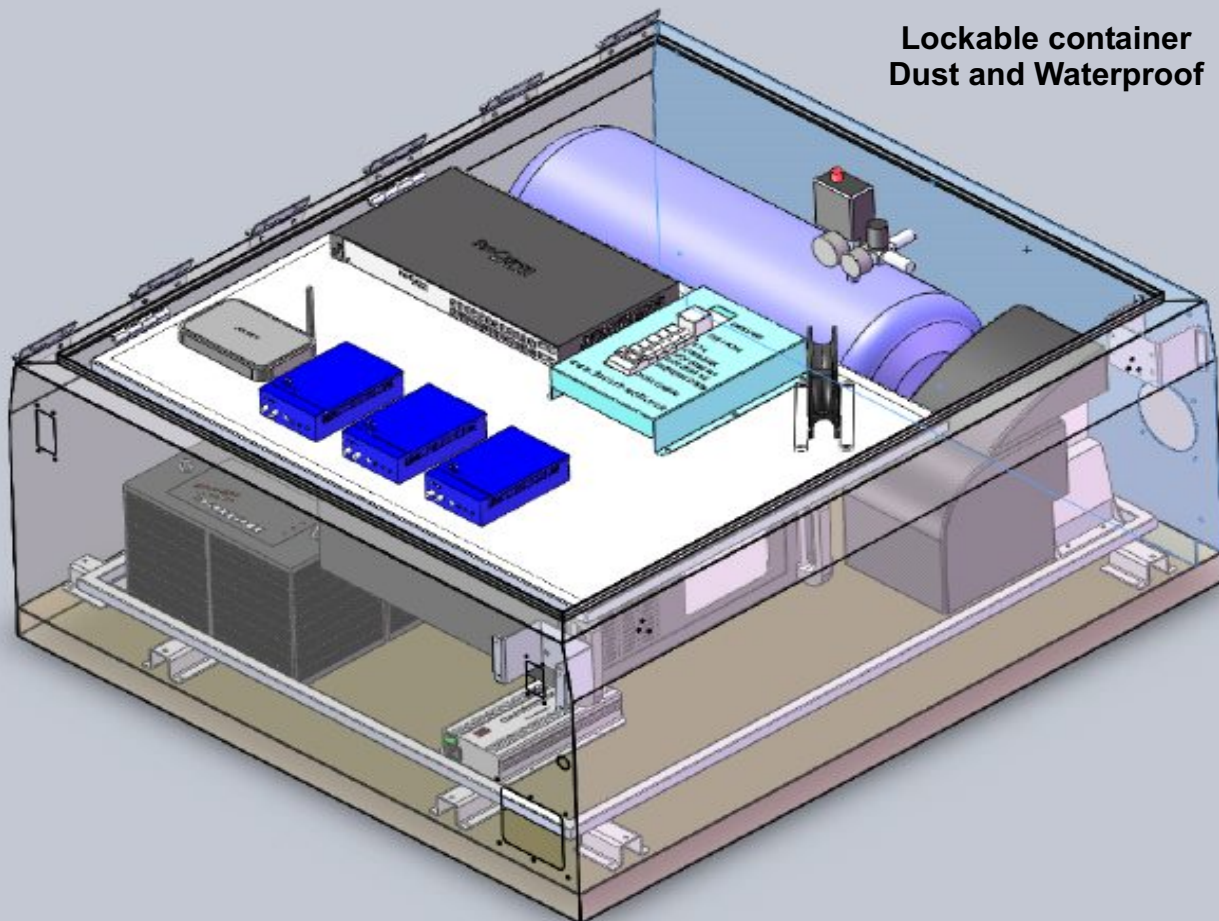
Copyright Desert Wolf. All rights reserved. This document is issued for outline information only and may not be used, applied for reproduction for any purpose, or form part of any order or contract or be regarded as a representation relating to the products or services concerned. Desert Wolf has the right to alter without notice the specification, design, price and conditions of supply of any product or service.

mobile: +27 82 4505 921 . office: +27 12 811 1168 . email: sales@desert-wolf.com

www.desert-wolf.com

BLACK WIDOW REMOTE SURVEILLANCE PLATFORM specifications

Electronics Compartment The heart of it all



Lockable container
Dust and Waterproof

All electronic equipment are mounted on vibration rubbers to ensure protection during transport on rugged terrain. Brackets are designed to meet the specific customer configuration for communications equipment, modems, panel screen, computers and video processing and recording devices.



mobile: +27 82 4505 921 . office: +27 12 811 1168 . email: sales@desert-wolf.com

www.desert-wolf.com

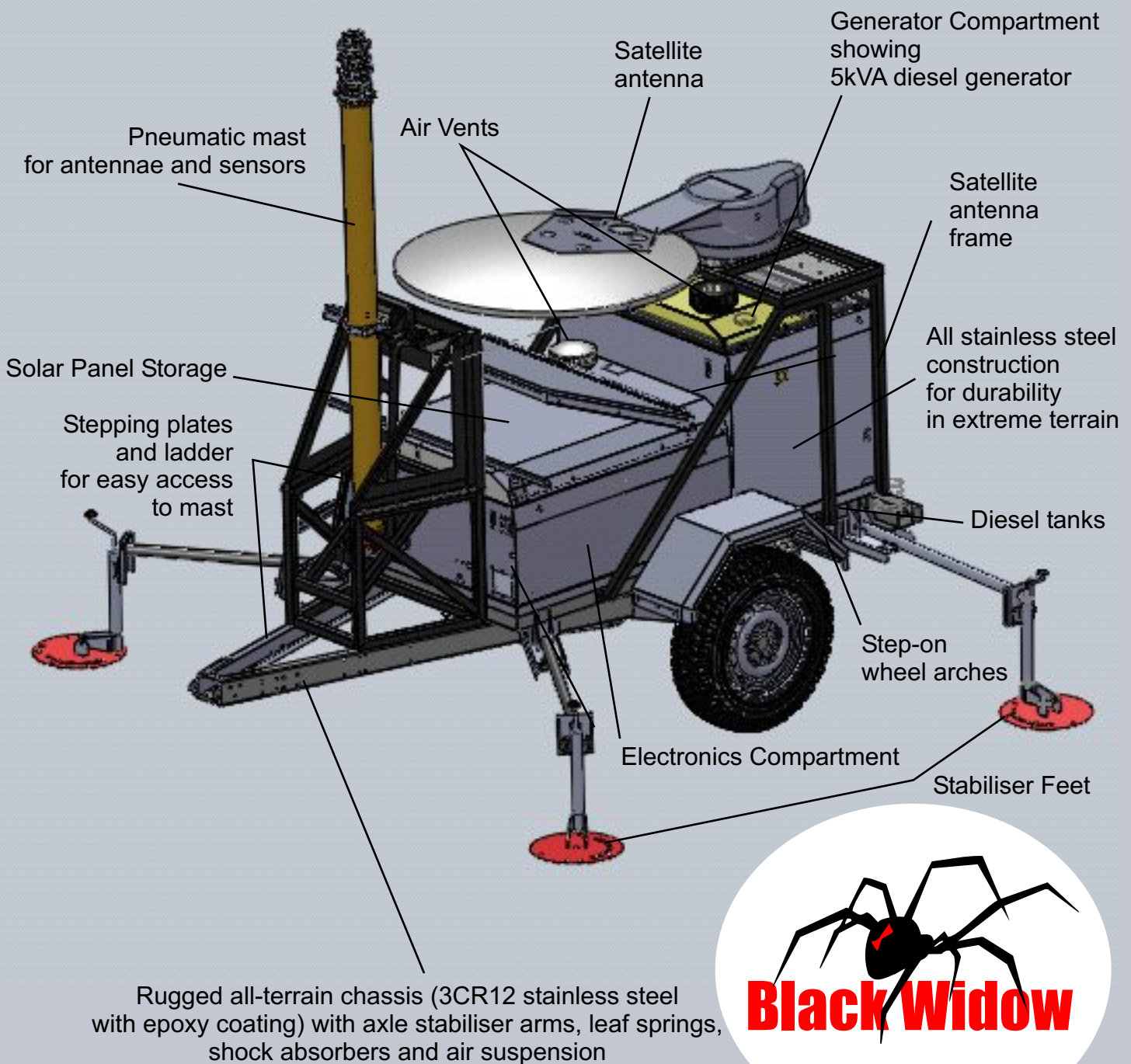
Copyright Desert Wolf. All rights reserved. This document is issued for outline information only and may not be used, applied for reproduction for any purpose, or form part of any order or contract or be regarded as a representation relating to the products or services concerned. Desert Wolf has the right to alter without notice the specification, design, price and conditions of supply of any product or service.

BLACK WIDOW

REMOTE SURVEILLANCE PLATFORM

specifications

Black Widow Mobile Surveillance Platform with pneumatic mast, solar panels and satellite antenna



Copyright Desert Wolf. All rights reserved. This document is issued for outline information only and may not be used, applied for reproduction for any purpose, or form part of any order or contract or be regarded as a representation relating to the products or services concerned. Desert Wolf has the right to alter without notice the specification, design, price and conditions of supply of any product or service.

mobile: +27 82 4505 921 . office: +27 12 811 1168 . email: sales@desert-wolf.com

www.desert-wolf.com